



# 100 SERIES INLINE TRAILER BREAKAWAY

## Applications

Inline breakaway designed for use with high flow CNG systems such as virtual pipeline transport trailers and bulk storage.



IB108-ASDSN - Inline Trailer Breakaway

## Materials

Description	Material
Body	Aluminium
Seats	Delrin
Internals	304 Stainless Steel
O-rings	Nitrile
Caps	304 Stainless Steel



TOOL-HC208

## Product Information

Largest CNG 1" inline breakaway on the market

SAE Ports are standard.

All products are manufactured under ISO 9001:2008 accredited standards.

PED 97/23/EC approved.

Compliant to sections of ANSI/IAS NGV4.4-1999 except separation force is designed to comply with AS5092-2009. This makes the product more suitable for CNG transport trailer applications.

Body tested to 100,000 pressure cycles.

Easily reconnected after a breakaway event.

Adaptor fittings available to adapt to other standard threads.

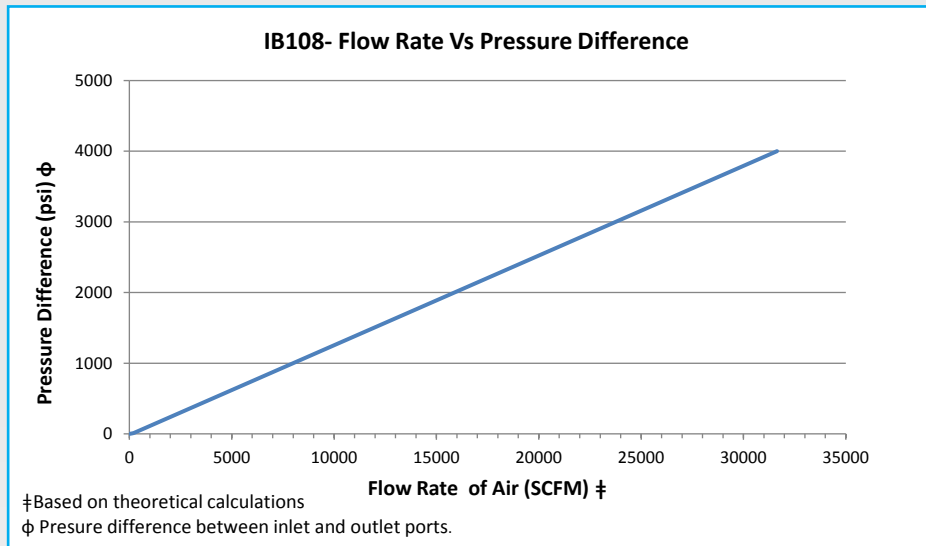
Servicing tool TOOL-HC208 is available for purchase from Oasis.

Replacement male end of breakaway available for purchase separately.

Please contact Oasis if intended for use in public vehicle refuelling stations.



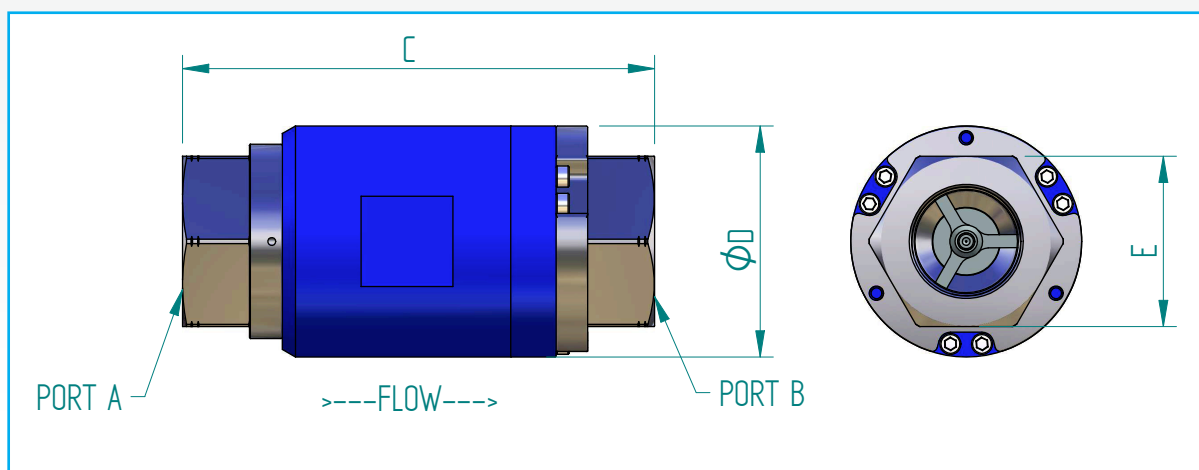
# 100 SERIES INLINE TRAILER BREAKAWAY



## Product Specification

Part Code	Weight lb (kg)	Min Pressure * psi (bar)	Service Pressure psi (bar)	Max Pressure ** psi (bar)	Test Pressure ^ psi (bar)	Min Temp. °F (°C)	Max Temp. °F (°C)	Time Before Rekit ^^	Cv
IB108-ASDSN	8.1 (3.7)	7 (0.5)	3600 (250)	4500 (310)	5000 (345)	-40 (-40)	150 (65)	3 Years	14.7

- \* Minimum system pressure the product will hold constant bubble tight seal at.
- \*\* Maximum pressure at which the product can constantly operate at.
- ^ Maximum pressure that can be applied for testing without causing damage to the product.
- ^^ It is recommended that the breakaway is re-kitted on or before the maximum usage duration to ensure it remains leak tight. The value of 3 years is based on a maximum of 20 uses a day, 365 days a year.



## Dimensions: Imperial (Metric mm)

Part Code	PORT A	PORT B	C	D	E	BREAKAWAY FORCE
IB108-ASDSN	1 5/8 - 12 SAE	1 5/8 - 12 SAE	7" (180)	3.46" (88)	2.55" (65)	LESS THAN 800N GREATER THAN 500N



# 100 SERIES INLINE TRAILER BREAKAWAY

## Applications

Adaptor for IB108 - 1" Inline Breakaway to fit common hose fittings and sizes.



IB108 Adaptors

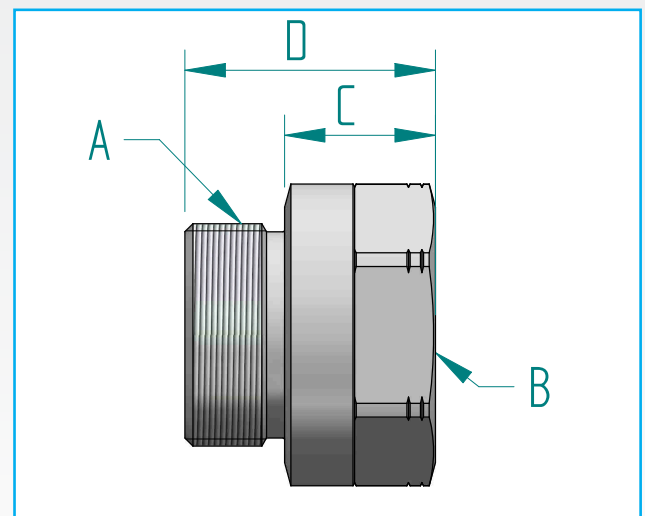
## Product Information

Other threads and connections available on request.

All products are manufactured under ISO 9001:2008 accredited standards.

## Materials

Description	Material
Body	304 Stainless Steel
O-ring	Nitrile



## Product Specification

Part Code	Weight lb (kg)	Service Pressure psi (bar)	(A) IB108 Connection End (male)	(B) Hose Adaptor Thread (female)	(C)	(D)
XIB108-31	1.3 (.6)	3600 (250)	1 5/8-12 SAE	1 5/16-12 SAE	1.1" (28mm)	1.8" (46.5mm)
XIB108-32	1.3 (.6)	3600 (250)	1 5/8-12 SAE	3/4" NPT	1.1" (28mm)	1.8" (46.5mm)
XIB108-33	1.3 (.6)	3600 (250)	1 5/8-12 SAE	1" NPT	1.1" (28mm)	1.8" (46.5mm)
XIB108-34	1.3 (.6)	3600 (250)	1 5/8-12 SAE	7/8-14 SAE	1.1" (28mm)	1.8" (46.5mm)



IB108 - Inline Breakaway



## 100 SERIES INLINE TRAILER BREAKAWAY

### Applications

Replacement IB108 male assembly



IB108 - Male end replacement

### Product Information

Complete replacement incase male section of breakaway is too badly damaged to be re-used

All products are manufactured under ISO 9001:2008 accredited standards.

### Materials

Description	Material
Body	304 Stainless Steel
O-ring	Nitrile