



RECIPROCATING PUMPS

SERIE VT-1

for **INDUSTRIAL GASES**



Technical features

- ▶ Compatible with Cold Converter and Thermosyphon storage tanks
- ▶ Easy installation due to the 360° rotating inlet and outlet
- ▶ High efficiency
- ▶ Low operating noise
- ▶ Quick maintenance thanks to the integrated cartridge seal system

Applications

- ▶ Cylinders filling and high pressure accumulation capacities

Crank mechanism

- ▶ **TW 6,5** - Oil lubrication

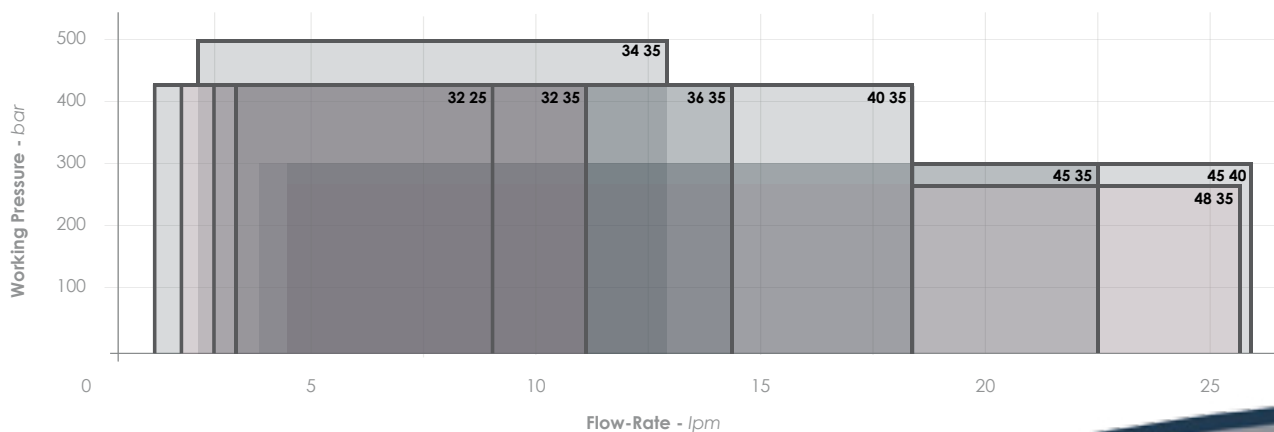
Liquids transferred

- ▶ LIN, LOX, LAR, LCO₂, LN₂O

PERFORMANCE

VT-1 TW6.5	Piston		Flow-rate				Maximum allowable suction pressure (MASP)		Maximum allowable working pressure (MAWP)		Power installed
	Bore	Stroke	Min 80 rpm		Max 450 rpm						Referred to MAWP
<i>Series pump</i>	<i>mm</i>	<i>mm</i>	<i>lpm</i>	<i>gpm</i>	<i>lpm</i>	<i>gpm</i>	<i>bar</i>	<i>psi</i>	<i>bar</i>	<i>psi</i>	<i>kW</i>
VT-1 32 25	32	25	1,4	0,4	8,1	2,1	20	290	420	6090	3 - 15
VT-1 32 35	32	35	2,0	0,5	11,4	3,0	20	290	420	6090	4 - 22
VT-1 34 35	34	35	2,3	0,6	12,9	3,4	20	290	500	7250	5,5 - 30
VT-1 36 35	36	35	2,6	0,7	14,4	3,8	20	290	420	6090	5,5 - 30
VT-1 40 35	40	35	3,2	0,8	17,8	4,7	20	290	420	6090	5,5 - 30
VT-1 45 35	45	35	4,0	1,1	22,5	6,0	20	290	300	4350	5,5 - 30
VT-1 48 35	48	35	4,6	1,2	25,6	6,8	20	290	260	3770	5,5 - 30
VT-1 45 40	45	40	4,6	1,2	25,8	6,8	20	290	300	3770	5,5 - 37

NPSH required: 1,5 - 1,7 m H₂O



Standard supply

- ▶ Hot dipped galvanized steel skid
- ▶ Cryogenic pump
- ▶ Electric motor
- ▶ Transmission by belts and pulleys
- ▶ Double pulsation damper

Standard accessories

- ▶ Suction flexible hose
- ▶ Return flexible hose
- ▶ Low pressure safety valve
- ▶ High pressure safety valve
- ▶ High pressure manual valve for venting
- ▶ Check valve
- ▶ Solenoid valve (for Cold converter installation)
- ▶ Pressure gauge
- ▶ Pressure switch
- ▶ Temperature sensor for cool down
- ▶ Temperature sensor for cavitation
- ▶ Temperature sensor for leaks detection

Optional accessories

- ▶ High pressure pneumatic release valve
- ▶ Configurable for vent oxygen
- ▶ Flushing system with nitrogen gas
- ▶ Electrical control panel
- ▶ 2 speed electric motor
- ▶ Motor suitable for VFD
- ▶ Customized electrical control panel available
- ▶ Completely automated systems available

Average SKID weight:

420 kg

Package overall dimensions

195 x 86 x 115 cm

Tests and checks

- ▶ Dimensional check of each mechanical component before assembling
- ▶ Running test of each pump with LIN before delivery

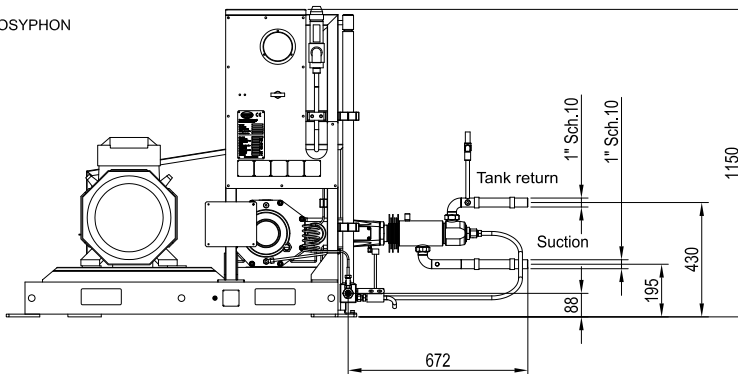
Standards

Designed according to:

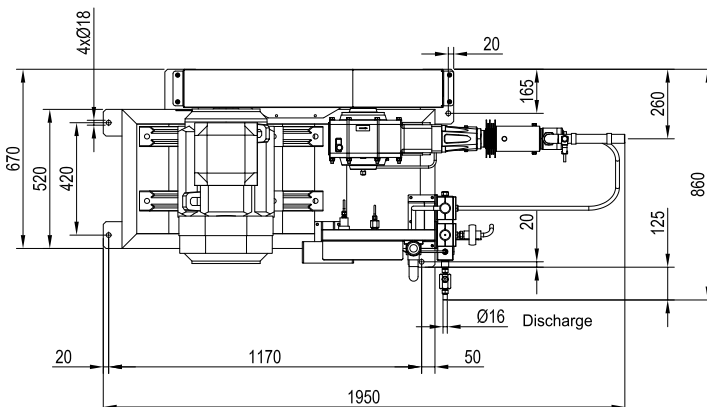
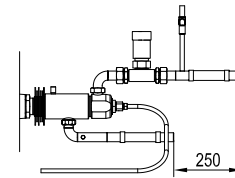
- ▶ European Directive 2006/42/CE Machinery
- ▶ European Directive PED 97/23/CE
- ▶ EIGA/IGC/CGA guidelines

GENERAL DIMENSIONS

TERMOSSYPHON



COLD CONVERTER



Certified quality management system

Vanzetti Engineering s.r.l.

Via dei Mestieri, 3 - 12030 Cavallerone (CN) ITALY

Tel. (+39) 0172 915811 - Fax (+39) 0172 915822

www.vanzettiengineering.com