



RECIPROCATING PUMPS

**SERIES VT-55**

for **INDUSTRIAL GASES**



**Technical features**

- ▶ Compatible with Cold Converter and Thermosyphon storage tanks
- ▶ Modular assembly (from Simplex to Quintuplex)
- ▶ High efficiency
- ▶ Low operating noise
- ▶ Quick maintenance thanks to the integrated cartridge seal system

**Applications**

- ▶ Cylinders filling and high pressure accumulation capacities
- ▶ Other industrial applications

**Crank mechanism**

- ▶ **TW10** - Oil lubrication

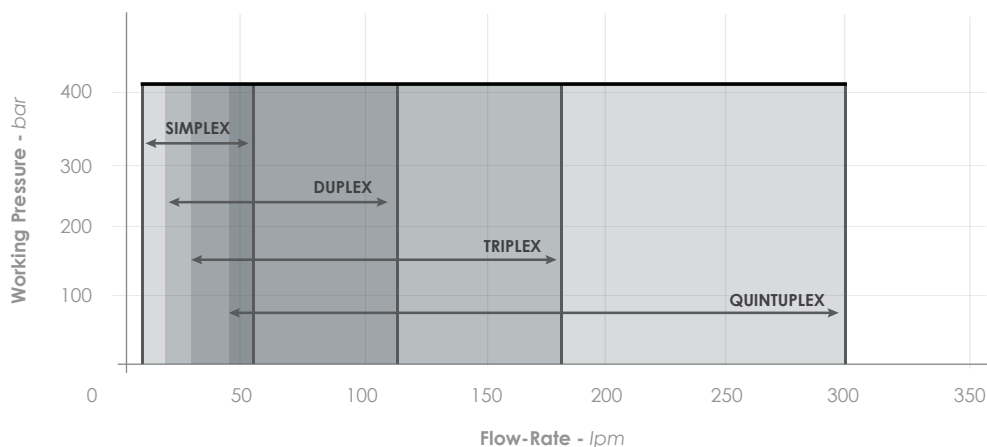
**Liquids transferred**

- ▶ LIN, LOX, LAR, LCO<sub>2</sub>, LN<sub>2</sub>O

**PERFORMANCE**

VT-100 TW10	Piston		Flow-rate				Maximum allowable suction pressure (MASP)		Maximum allowable working pressure (MAWP)		Power installed
	Bore	Stroke	Min 80 rpm	Max 450 rpm						Referred to MAWP	
<i>Series pump</i>	<i>mm</i>	<i>mm</i>	<i>lpm</i>	<i>gpm</i>	<i>lpm</i>	<i>gpm</i>	<i>bar</i>	<i>psi</i>	<i>bar</i>	<i>psi</i>	<i>kW</i>
VT 55 62 S	55	62	10,6	2,8	59,7	15,7	20	290	420	6090	18,5 - 110
VT 55 62 D	55	62	21,2	5,6	119,3	31,5	20	290	420	6090	30 - 160
VT 55 62 T	55	62	31,9	8,4	179,0	47,3	20	290	420	6090	45 - 250
VT 55 62 Q	55	62	53,0	14,0	299,0	78,9	20	290	420	6090	75 - 400

NPSH required: 1,5 - 1,7 m H<sub>2</sub>O



### Standard supply

- ▶ Hot dipped galvanized steel skid
- ▶ Cryogenic pump
- ▶ Electric motor
- ▶ Transmission by belts and pulleys, available also with gearbox
- ▶ Double pulsation damper

### Standard accessories

- ▶ Suction flexible hose
- ▶ Return flexible hose
- ▶ Low pressure safety valve
- ▶ High pressure safety valve
- ▶ High pressure manual vent valve
- ▶ Check valve
- ▶ Pressure gauge
- ▶ Pressure switch
- ▶ Temperature sensor for cool down
- ▶ Temperature sensor for cavitation
- ▶ Temperature sensor for leaks detection

### Optional accessories

- ▶ High pressure pneumatic vent valve
- ▶ Flushing system with nitrogen gas
- ▶ Electrical control panel
- ▶ 2 speed electric motor
- ▶ Motor suitable for VFD
- ▶ Customizable electrical control panel available
- ▶ Completely automated systems available

Average SKID weight:

**1200 kg**

Package overall dimensions

**292 x 114 x 154 cm**

### Tests and checks

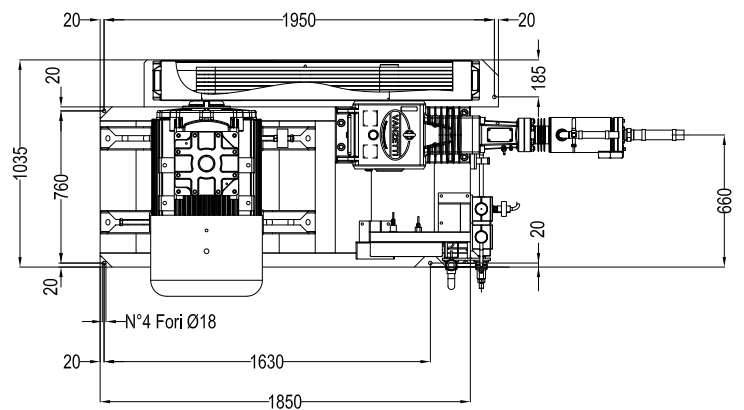
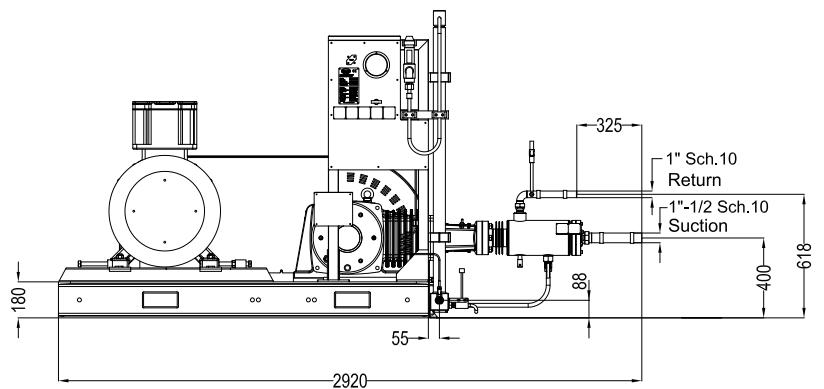
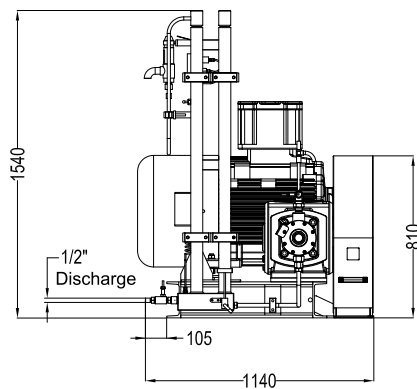
- ▶ Dimensional check of each mechanical component before assembling
- ▶ Running test of each pump with LIN before delivery

### Standards

Designed according to:

- ▶ European Directive 2006/42/CE Machinery
- ▶ European Directive PED 97/23/CE
- ▶ EIGA/IGC/CGA guidelines

## GENERAL DIMENSIONS



Certified quality management system

Vanzetti Engineering s.r.l.

Via dei Mestieri, 3 - 12030 Cavallerleone (CN) ITALY

Tel. (+39) 0172 915811 - Fax (+39) 0172 915822

[www.vanzettiengineering.com](http://www.vanzettiengineering.com)